

## Cirrus 25



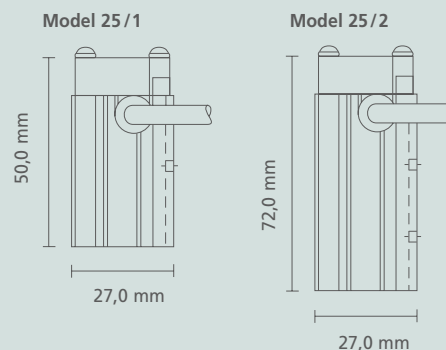
Cirrus 25	25 / 1			25 / 2			
	5 W	10 W	20 W	10 W	20 W	30 W	40 W
Nominal Power Output at 10°C, 12 V or 230 V*	5 W	10 W	20 W	10 W	20 W	30 W	40 W
Rated fan current (amps) at 12 V	0.06	0.06	0.06	0.06	0.06	0.06	0.06
Recommended fuse at 12 V/24 V (time delay, amps)	4	4	4	4	4	4	6
	n/a	n/a	n/a	n/a	2	2	2
Fan volumetric flow at zero static pressure (m <sup>3</sup> /hr)	5.1	5.1	5.1	5.1	5.1	5.1	5.1
Fan lifetime at 40°C, L 10 hours	120.000	120.000	120.000	120.000	120.000	120.000	120.000
Input Voltage (V) fan DC	12/24	12/24	12/24	12/24	12/24	12/24	12/24
heater	12/24	12/24	12/24	12/24	12/24	12/24	12/24
					100/240	100/240	100/240
Dimensions (mm) cross section	26 x 27	26 x 27	26 x 27	26 x 27	26 x 27	26 x 27	26 x 27
length of profile and fan	50	50	50	72	72	72	72
Weight (kg)	0.06	0.06	0.06	0.09	0.09	0.09	0.09
Protection Type	IP 20	IP 20	IP 20	IP 20	IP 20	IP 20	IP 20
Cable length (mm)	600	600	600	600	600	600	600
Outlet Finger Guard (High Voltage supply)	n/a	n/a	n/a	n/a	Y	Y	Y
Outlet Finger Guard (Low Voltage supply)	Option	Option	Option	Option	Option	Option	Option

\*Other power outputs available on request. Data is given for illustration purposes only and does not release the customer from independent application tests.

### Ordering Example:

Type	Size	Power	Fan input	AC / DC	Heater Voltage	Finger guard outlet	
						1 / 0	1 / 0
C25	2	30 W	12 V	DC	24 V	0	1

Order Code Example: C25 / 2 – 30 W – 12 V – DC – 24 V – 0 – 1



### Features:

- High power to size ratio
- Lightweight
- Easy to fit
- pre-wired
- Independent fan circuit to aid climate cooling

### Options:

- Finger guard at outlet
- Smartcon®- Cable to allow AC fan supply and/or 24 V fan supply
- Fixings – DIN clip



## Cirrus 40



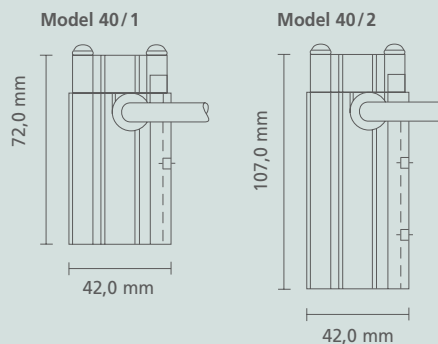
Cirrus 40	40 / 1				40 / 2			
	45 W	60 W	80 W	100 W	125 W	150 W	200 W	230 W
Nominal Power Output at 10°C, 12 V or 230 V**	45 W	60 W	80 W	100 W	125 W	150 W	200 W	230 W
Rated fan current (amps) at 12 V	0.06	0.06	0.06	0.06	0.06	0.06	0.06	0.165
Recommended fuse (time delay, amps) at 12 V/24 V at 115 V/230 V	6 2	6 2	n/a 2	n/a 4	n/a 4	n/a 4	n/a 4	n/a 4
Fan volumetric flow at zero static pressure (m <sup>3</sup> /hr) at 40°C, L 10 hours	12.4 120.000	12.4 120.000	12.4 120.000	12.4 120.000	12.4 120.000	12.4 120.000	12.4 120.000	17 -
Input Voltage (V) fan DC heater	12/24 12/24 100/240	12/24 12/24 100/240	12/24 12/24 100/240	12/24 12/24 100/240	12/24 12/24 100/240	12/24 12/24 100/240	12/24 12/24 100/240	12/24 12/24 100/240
Dimensions (mm) cross section length of profile and fan	42 x 42 72	42 x 42 72	42 x 42 72	42 x 42 72	42 x 42 107	42 x 42 107	42 x 42 107	42 x 42 107
Weight (kg)	0.175	0.175	0.175	0.175	0.260	0.260	0.260	0.275
Protection Type	IP 20	IP 20	IP 20	IP 20	IP 20	IP 20	IP 20	IP 20
Cable length (mm)	600	600	600	600	600	600	600	600
Outlet Finger Guard (High Voltage supply)	Y	Y	Y	Y	Y	Y	Y	Y
Outlet Finger Guard (Low Voltage supply)	Option	Option	Option	Option	Option	Option	Option	Option

\*Typical power reduction of 25 % when filter fixed.\*\*Other power outputs available on request. Data is given for illustration purposes only and does not release the customer from independent application tests.

## Ordering Example:

Type	Size	Power	Fan input	AC/DC	Heater Voltage	Finger guard		DIN clip		Filter
						outlet / 1/0	inlet / 1/0	1 / 0	1 / 0	
C40	2	125 W	24 V	AC	240 V	1	0	1	1	1

Order Code Example: C40 / 2 – 125 W – 24 V – AC – 240 V – 1 – 0 – 1 – 1



## Features:

- High power to size ratio
- Lightweight
- Easy to fit
- pre-wired
- Independent fan circuit to aid climate cooling

## Options:

- Finger guard on either end
- Filter Assembly\*
- Smartcon®- Cable to allow AC fan supply and/or 24 V fan supply
- Fixings – DIN clip

